

# AIR BLOW GUN

## Series WB2

Cat No WB - 01 - 03 - B

### AIR BLOW GUN - METAL

#### Features

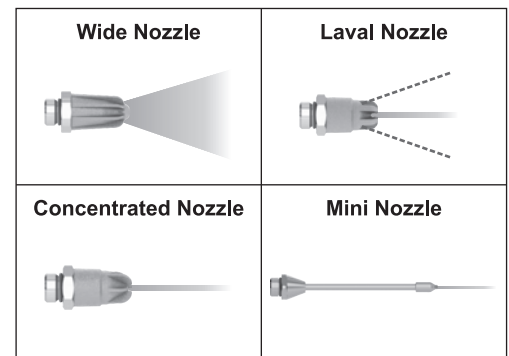
- Energy Saving by 30% without compromising the blowing force\*
- Noise Reduction by 15%\*\*
- Volume of air delivery is more than the input volume due to venturi effect
- OSHA compliance ensures safe & healthy working environment
- Laval nozzle provides protective blowing by deflecting the metal chips which bounces back
- Unique metering valve design provides steady flow & force with respect to handle position
- Sleek & light weight design, feels extremely light on hands
- Heavy and rough uses in industrial environments
- Comes with hook provision



#### Applications

- Blowing of highly viscous metal debris & dust particles
- Blow moving & Material Conveying
- Machine tools protective chip blowing
- Protective dust blowing in foundry
- Painting (part cleaning)
- Injection moulding machines (cooling of moulds)
- Textile mills & Drying of panels

#### Blowing Pattern



#### Technical Specifications

Design		Air Blow Gun with Wide Nozzle	Air Blow Gun with Laval Nozzle	Air Blow Gun with Concentrated Nozzle	Air Blow Gun with Mini Nozzle
Air Consumption @	lpm	400	380	380	330
Noise Level @	dB	80	85	90	85
Blow Force @	g	340	300	300	320
Recommended Operating Pressure	bar	4			
Max. Operating Pressure	bar	10			
Port Size	G	1/4"			
Ambient/Medium Temperature	C	-10° to +80°			
Medium		Compressed air			
Materials of construction		Aluminium, Brass, Nitrile, SS			

@ Inlet pressure 6 bar.

\* When compared to open pipe blowing.

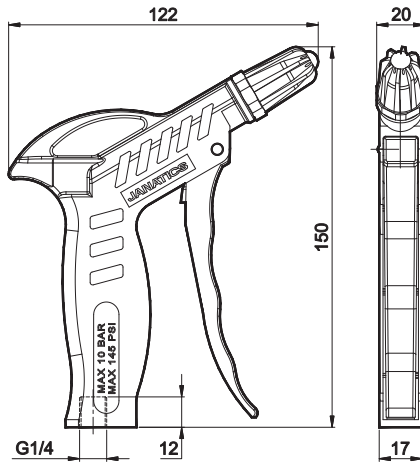
\*\* Measured at specific test condition.

# AIR BLOW GUN

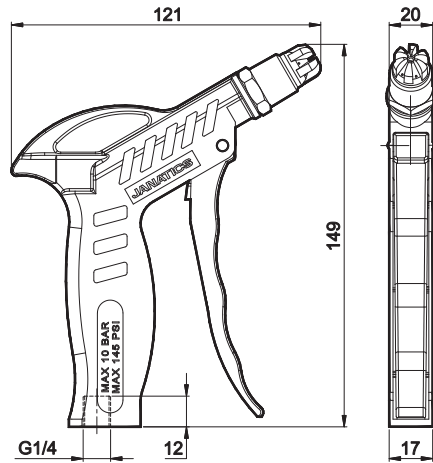
## Series WB2

Cat No WB - 01 - 03 - B

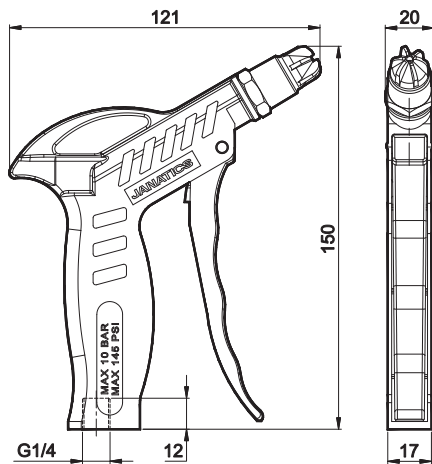
**Air Blow Gun  
with Wide Nozzle (WB202)**



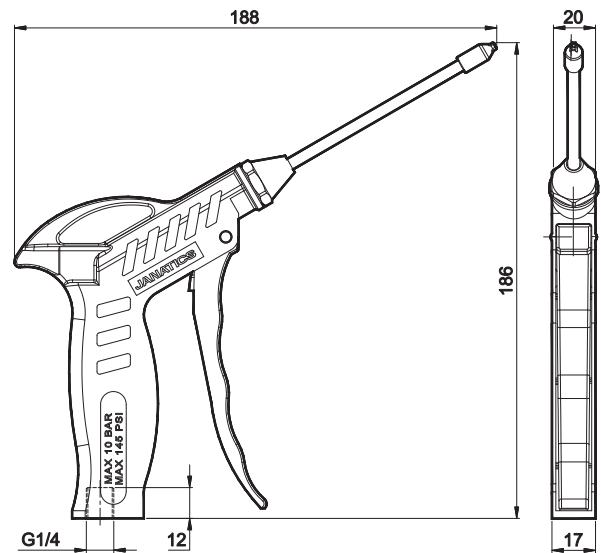
**Air Blow Gun  
with Laval Nozzle (WB203)**



**Air Blow Gun  
with Concentrated Nozzle (WB204)**



**Air Blow Gun  
with Mini Nozzle (WB205)**

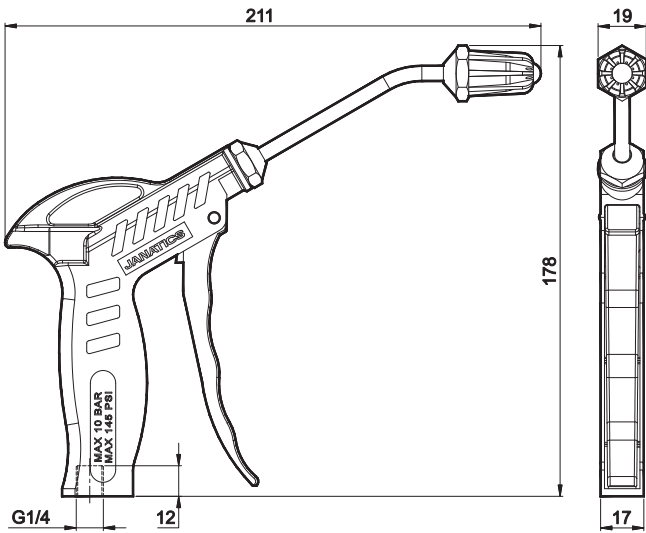


# AIR BLOW GUN

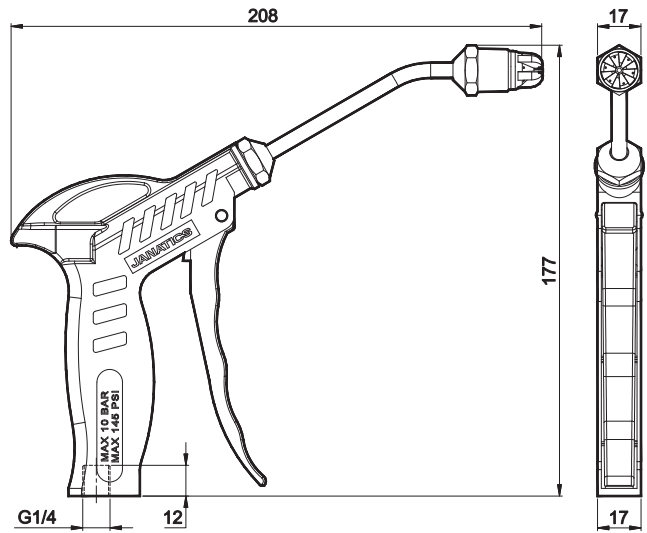
## Series WB2

Cat No WB - 01 - 03 - B

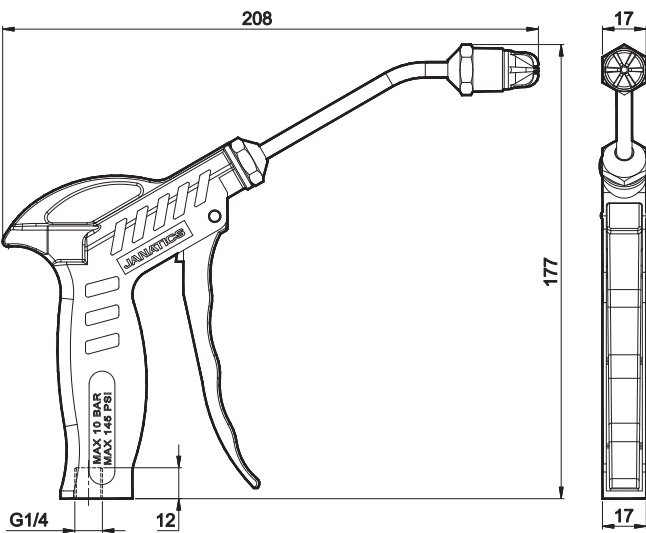
**Air Blow Gun  
with Wide Bend Nozzle (WB206)**



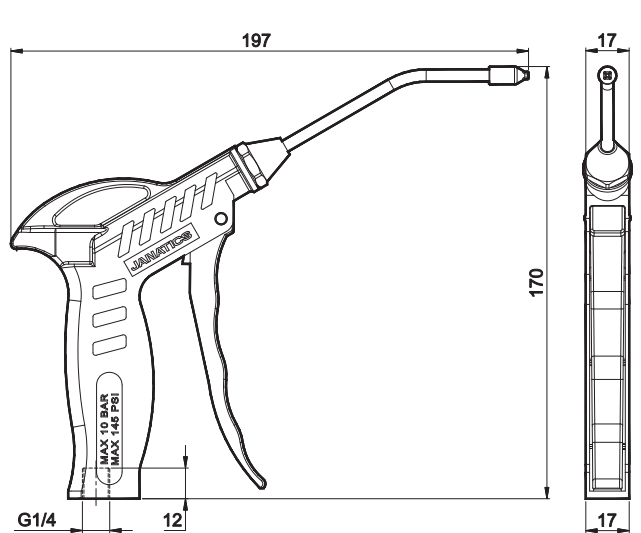
**Air Blow Gun  
with Laval Bend Nozzle (WB207)**



**Air Blow Gun  
with Concentrated Bend Nozzle (WB208)**



**Air Blow Gun  
with Mini Bend Nozzle (WB209)**



# AIR BLOW GUN

## Series WB2

Cat No WB - 01 - 03 - B

### Accessories for Air Blow Gun

Wide Nozzle (WBA02)	Laval Nozzle (WBA03)
Concentrated Nozzle (WBA04)	Mini Nozzle (WBA05)

### How to order

#### Air Blow gun:

W	B	2	03
<b>Model</b>		<b>Body Material</b> (Applicable for Basic Product)	
B	Blowgun (Basic Product)	2	Metal
<b>Nozzle Type</b>			
02	Wide Nozzle		
03	Laval Nozzle		
04	Concentrated Nozzle		
05	Mini Nozzle		
06	Wide Nozzle with Bend Tube		
07	Laval Nozzle with Bend Tube		
08	Concentrated Nozzle with Bend Tube		
09	Mini Nozzle with Bend Tube		

#### Ordering example:

Ordering no. For Air Blow Gun with Laval Nozzle: **WB203**